

Specifications

Wrapping

Package size Width: 130-350mm (5.1-13.8 inches)
 Height: 10-150 mm (0.4-5.9 inches)
 Depth: 80-230mm (3.1-9.0 inches)
 The combination of maximum size of each dimension cannot be used. The size of the package that can be wrapped also depends on the film to use.

Wrapping speed Max. 30 packages/min.
 Number of film roll One roll
 Film width 300-500mm (11.8-19.7 inches)
 Film length Max. 1,500m

Weighing

Interval type	Multi-interval		Single interval
Capacity	Max. 3/6kg	Max. 6/15kg	Max. 30 lb
Scale interval	e=1/2g	e=2/5g	e=0.01 lb
Weighing range	20g-6kg	40g-15kg	0.20-30 lb
Max. wrapping capacity	5kg	5kg	11 lb

Thermal printer

Label type	Die-cut label	Linerless label
Label width	40-80mm/1.6-3.1 inches	44-59mm/1.73-2.3 inches
Label length	28-105mm/1.1-4.1 inches	28-105mm/1.1-4.1 inches*
		* Maximum printing length is 300mm/ 11.8 inches
Label roll diameter	Max. 210mm (8.2 inches)	
Label roll core diameter	76mm (3.0 inches)	
Dot density	12 dot/mm (300dpi)	

Operation console

Display panel TFT LCD color (12.1 inches) touch panel
 Operation keys Mechanical keys and touch screen
 Memory for programmable files - 8.8GB

General

Power source and power consumption • 208/240V; 3Ø; 50/60Hz; 2.1kVA
 • 220-240V; 1Ø; 50/60Hz; 2.0kW
 Net weight Approx. 340kg (AW-5600CPR Single Labeler Type)

Model variation

AW-5600CPR-IWC

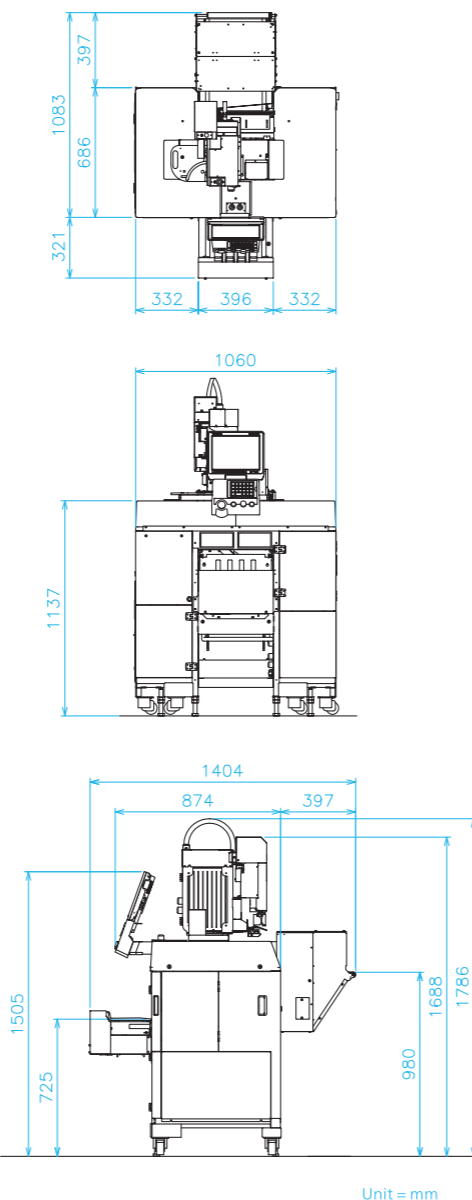
Options

- Sub labeler
- Gravity outfeed roller
- U-turn conveyor



*Specifications are subject to change without prior notice.

Dimensions



AW-5600CPR

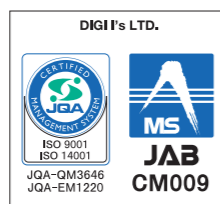
Integrated in-line weigh-wrap-label-system



AW-5600CPR
with optional gravity outfeed roller

TERAOKA SEIKO CO., LTD.

13-12 Kugahara 5-chome, Ohta-ku,
 Tokyo 146-8580 JAPAN
 www.digisystem.com



A1508CDMP

Searching for a New Balance

The AW-5600CPR meets demanding output by increasing efficiency of in-line weighing and packaging operations.

DIGI's reliability packed in an all-in-one system boosts productivity of your production line to a maximum processing speed of 30 packs/min.

User friendly extra-large 12.1" full color touch screen

Label print content can be previewed on the display, helping to prevent labeling errors. PLU and frequently used function keys can be assigned for easy access.



Tray presser with enhanced heater conveyor ensures a tight seal to keep products attractive.



AW-5600CPR with optional gravity outfeed roller



Featuring linerless labeling

A new dimension for food packaging operations. Eliminate liner waste and increase flexibility and profit.



Quick, simple film loading

Change film sizes with minimal downtime using the new mechanism.



Easy to clean

Easily access all sides, including the detachable elevator head etc., for daily cleaning.



ex. 86mm ▶ 60mm

Label format flexibility

A continuous strip of linerless labels is cut every time a label is printed. The auto-cut feature allows variable label layouts and sizes to be used from one roll of linerless labels.

No more wasted white space on big labels

The auto-label-sizing feature eliminates unused space on the label and automatically adjusts the label size. This reduces the label cost and makes labels more attractive.



Actual size